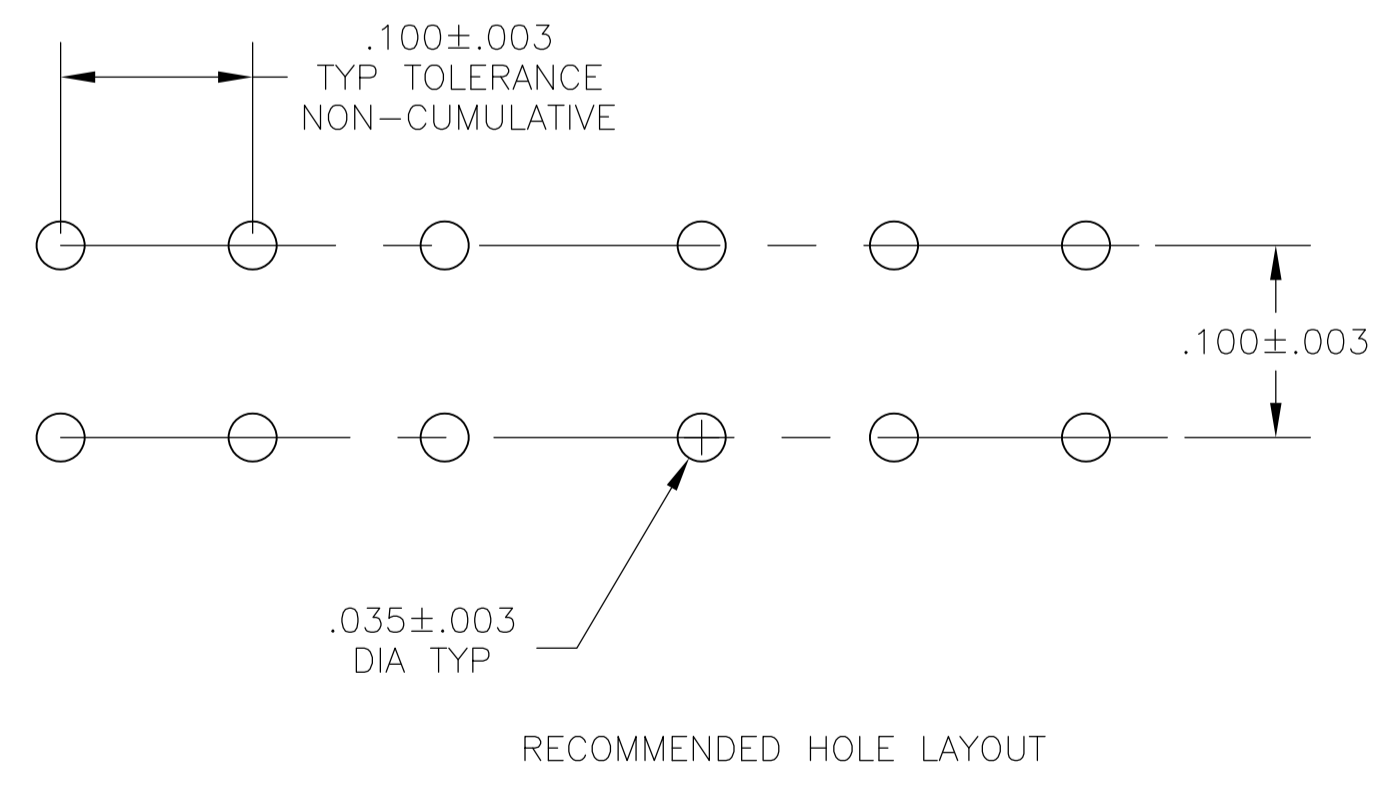
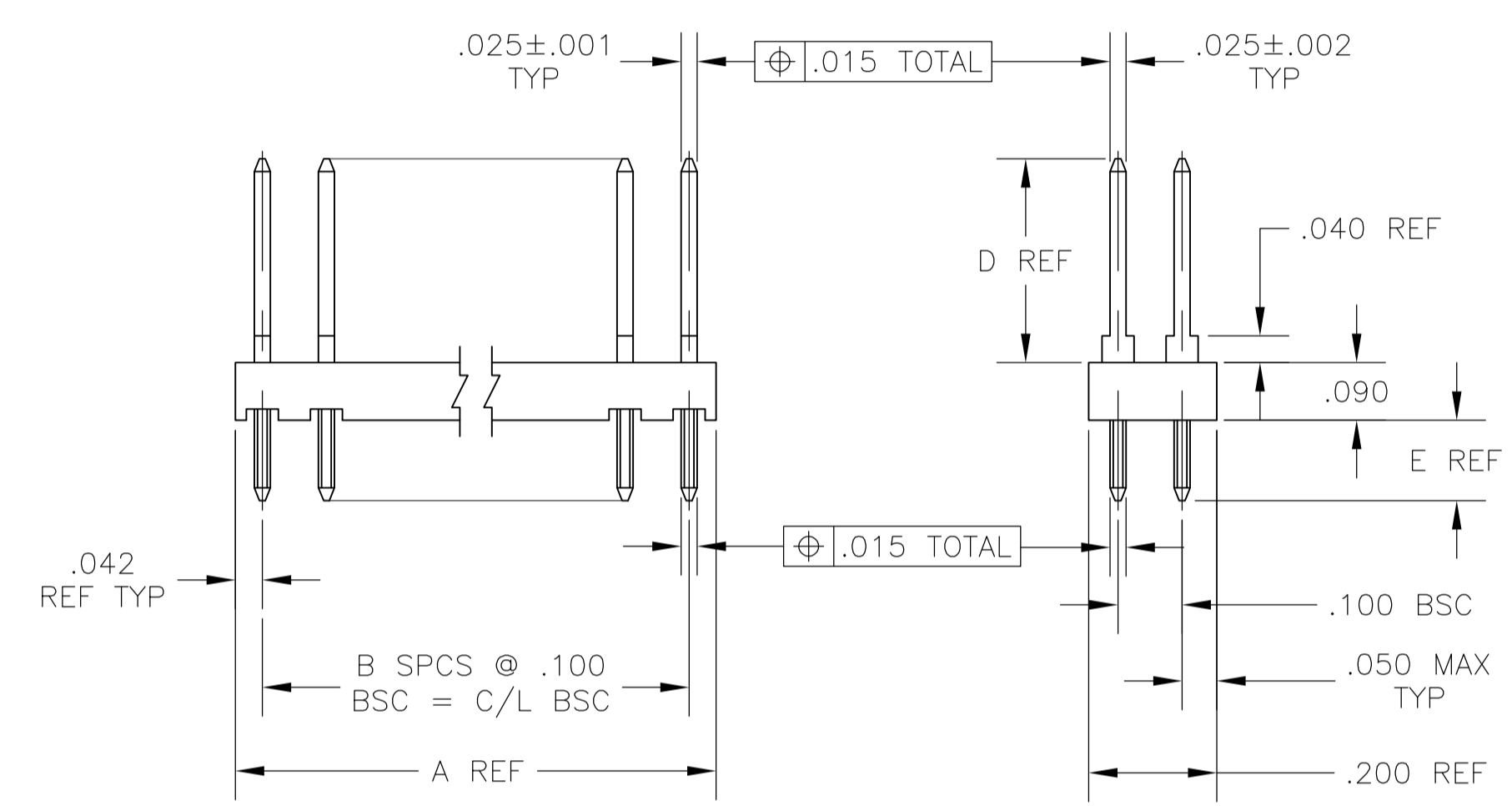


1. TRUE POSITION TOLERANCE OF POST TIPS APPLIES WHEN HEADERS ARE HELD FLAT AGAINST POINTED CIRCUIT BOARD.

- 2 OBSOLETE PART NUMBER
- 3 .000100-.000200 BRIGHT TIN OVER .000050-.000100 NICKEL.
- 4 .000100-.000200 BRIGHT TIN-LEAD OVER .000050-.000100 NICKEL.
- 5 PRELIMINARY PART
- 6 .000100-.000200 MATTE TIN OVER .000050 NICKEL.
- 7 OBSOLETE PARTS: OBSOLETE CIS STREAMLINING PER D.RENAUD/D.SINISI



FINISH	E	D	C	B	A	NO OF POSN	PART NUMBER
							9-87543-0
							7-87543-5
OBsolete							7-87543-6
OBsolete							6-87543-7
OBsolete							6-87543-5
							6-87543-3
OBsolete							6-87543-1
							6-87543-0
							5-87543-8
							5-87543-7
							5-87543-6
							5-87543-5
OBsolete							5-87543-4
							5-87543-3
							5-87543-1
							4-87543-3
							4-87543-2
							4-87543-1
							4-87543-0
							3-87543-9
							3-87543-8
							3-87543-7
							3-87543-6
							3-87543-5
							3-87543-4
							3-87543-3
							3-87543-2
							3-87543-1
							3-87543-0
							2-87543-9
							2-87543-8
							2-87543-7
							2-87543-6
							2-87543-5
							2-87543-4
							2-87543-3
							2-87543-2
							2-87543-1
							2-87543-0
							1-87543-9
							1-87543-8
							1-87543-7
							1-87543-6
							1-87543-5
							1-87543-4
							1-87543-3
							1-87543-2
							1-87543-1
							1-87543-0
							87543-9
							87543-8
							87543-7
							87543-6
							87543-5
							87543-4
							87543-3
							87543-2
							87543-1

SUPERCEDED BY 3-103322-5

SUPERCEDED BY 3-103322-2

SUPERCEDED BY 3-103322-0
SUPERCEDED BY 2-103322-5

SUPERCEDED BY 2-103322-1
OBsolete

SUPERCEDED BY 1-103322-6
OBsolete

SUPERCEDED BY 1-103322-4

SUPERCEDED BY 1-103322-2
OBsolete

SUPERCEDED BY 103322-9

SUPERCEDED BY 5-87543-3
SUPERCEDED BY 103322-2

FINISH	E	D	C	B	A	NO OF POSN	PART NUMBER
--------	---	---	---	---	---	------------	-------------

THIS DRAWING IS A CONTROLLED DOCUMENT.

INCHES: DIMENSIONS: 0 PLC ± .001, 1 PLC ± .002, 2 PLC ± .003, 3 PLC ± .004, 4 PLC ± .005, ANGLES ± .001

TOLERANCES UNLESS OTHERWISE SPECIFIED: SEE TABLE

MATERIAL: H20-GLASS FILLED NYLON, COLOR: BLACK, CONTACT: PHOS BRONZE

FINISH: SEE TABLE

WEIGHT: --

APPROVED: T.C. CLARK, 20 NOV 87

DESIGNED: T.C. CLARK, 20 NOV 87

NAME: ASSEMBLY, MOD II, HEADER, DOUBLE ROW, .100X.100

PRODUCT SPEC: --

APPLICATION SPEC: --

SIZE: A1, CAGE CODE: 00779, DRAWING NO: 87543

RESTRICTED TO: --

CUSTOMER DRAWING: --

SCALE: 4:1, SHEET: 1 OF 1, REV: H2